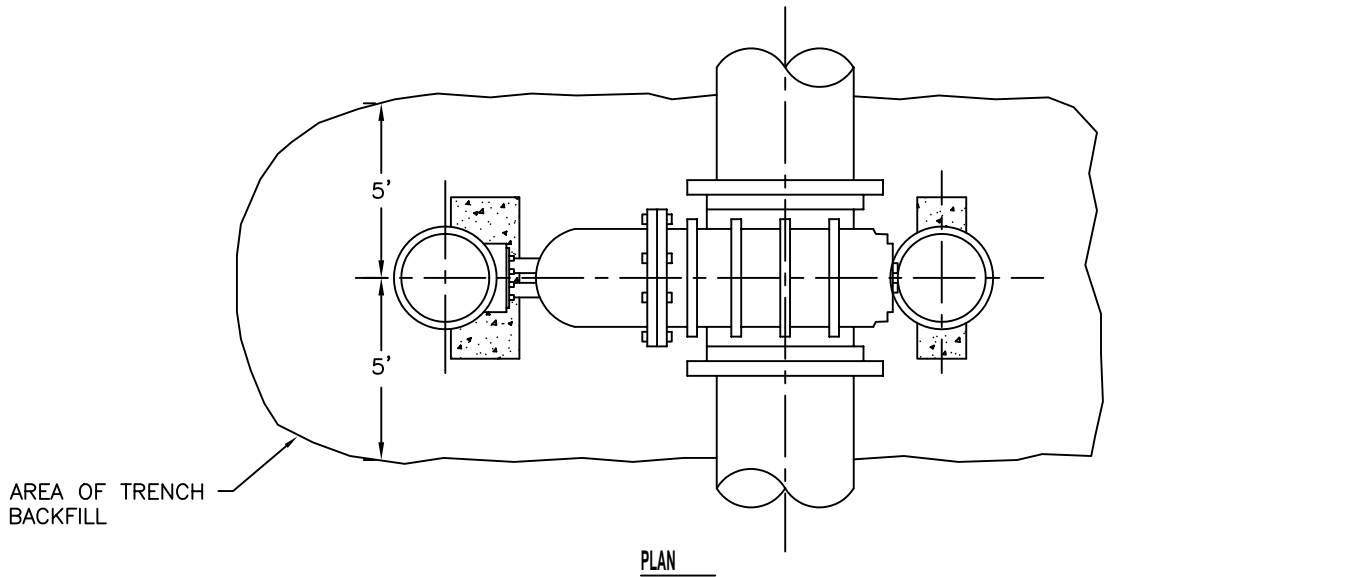
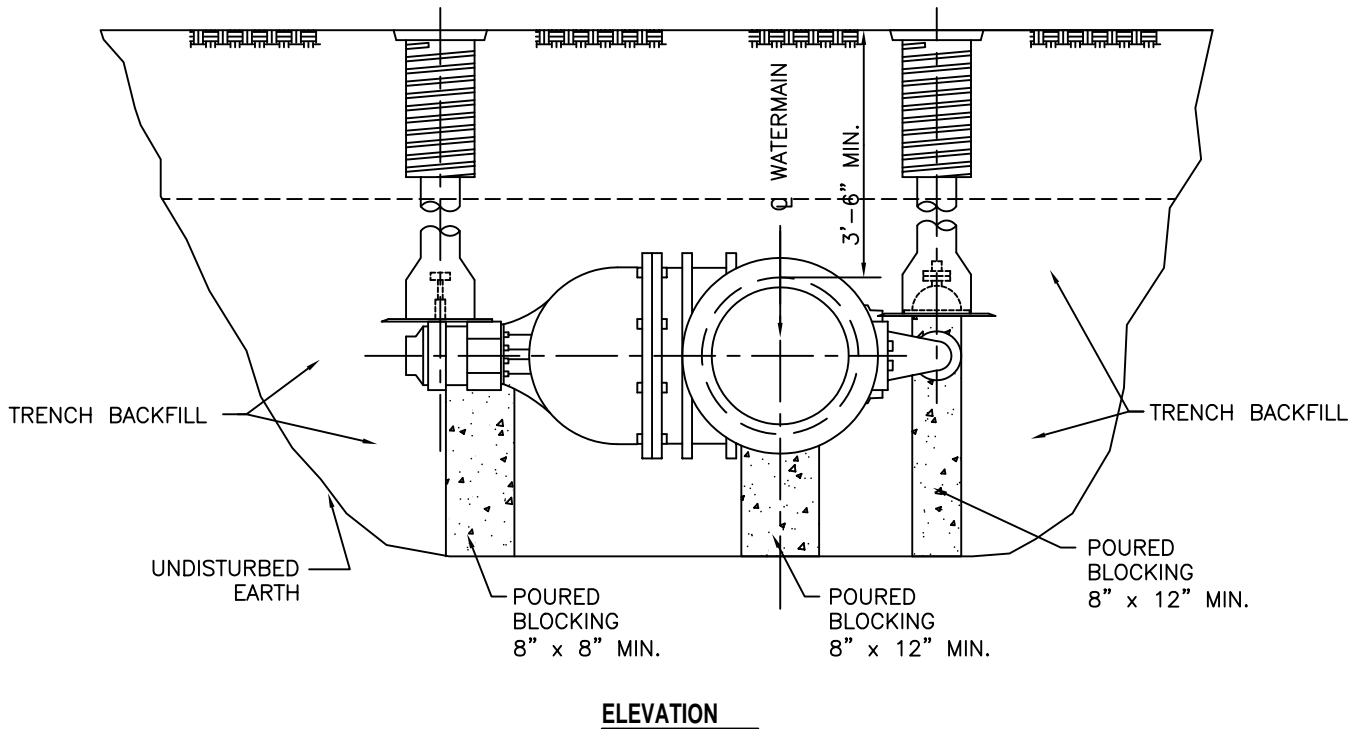


STANDARD DESIGN WATERMAIN VALVES 16" & LARGER



AREA OF TRENCH BACKFILL

PLAN



TRENCH BACKFILL

TRENCH BACKFILL

UNDISTURBED EARTH

POURED BLOCKING
8" x 8" MIN.

POURED BLOCKING
8" x 12" MIN.

POURED BLOCKING
8" x 12" MIN.

ELEVATION

NOTES:

1. FOR SIZES 16" TO 24" GATE VALVE SHALL BE MUELLER A-2361 DUCTILE IRON RESILIENT WEDGE OPEN RIGHT OR APPROVED EQUAL.
2. VALVES SHALL BE COMPLETE WITH MUELLER BEVEL GEARING VALVE OPERATOR OR APPROVED EQUAL.
3. BY-PASS VALVE REQUIRED FOR VALVES 18" AND LARGER.

CITY OF DECATUR, ILLINOIS
DEPARTMENT OF ENGINEERING
& INFRASTRUCTURE

ADOPTED JANUARY 1, 2003

DIRECTOR OF ENGINEERING & INFRASTRUCTURE

ISSUED: 1/1/03	
REVISIONS	
BY	DATE
F.W.T.	12/15/81
SHOE	9/15/89
R.W.D.	3/6/97
RNB	12/19/02

STANDARD# 4010