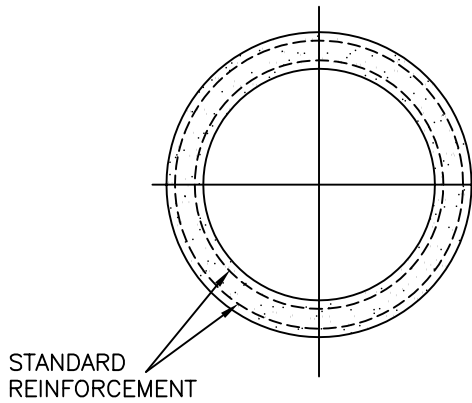


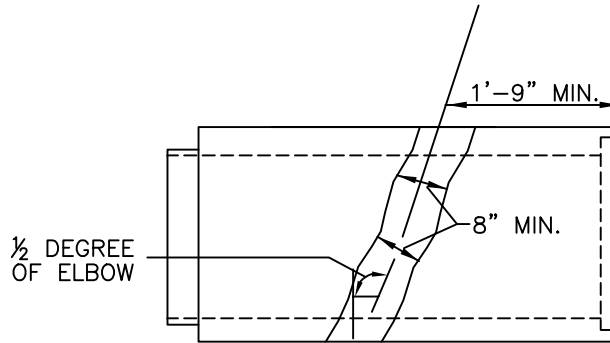
# STANDARD DESIGN REINFORCED CONCRETE PIPE ELBOW

REMOVE CONCRETE IN PIPE ALONG THESE LINES CLEAN REINFORCEMENT FOR EITHER TIED OR WELDED LAPS OF LONGITUDINAL AND CIRCUMFERENTIAL REINFORCEMENT.



STANDARD REINFORCEMENT

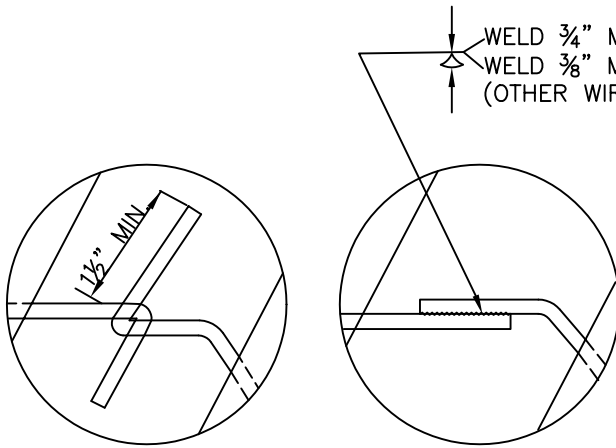
**TRANSVERSE SECTION**



1/2 DEGREE OF ELBOW

PLAN

**REINFORCED CONCRETE PIPE**

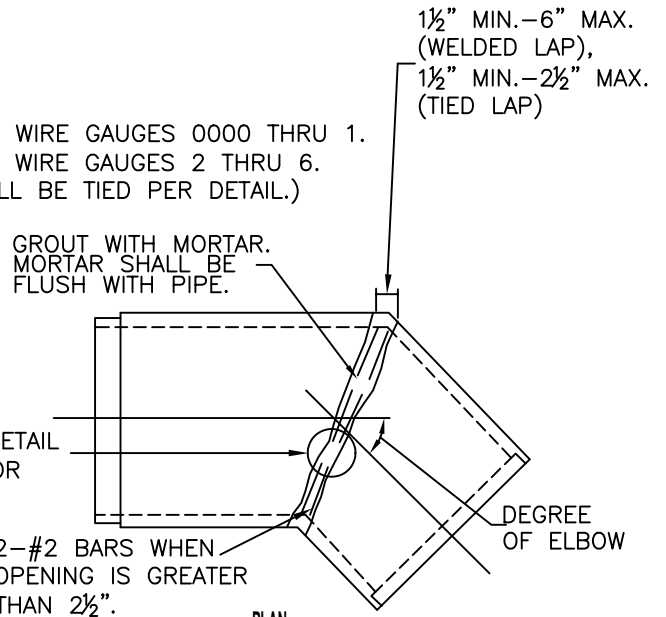


WELD 3/4" MIN. FOR WIRE GAUGES 0000 THRU 1.  
WELD 3/8" MIN. FOR WIRE GAUGES 2 THRU 6.  
(OTHER WIRES SHALL BE TIED PER DETAIL.)

TIED LAP

WELDED LAP

**DETAIL "A"**



GROUT WITH MORTAR.  
MORTAR SHALL BE FLUSH WITH PIPE.

SEE DETAIL "A" FOR LAPS

2-#2 BARS WHEN OPENING IS GREATER THAN 2 1/2".

PLAN

**REINFORCED CONCRETE PIPE**

**NOTES:**

1. REINFORCED CONCRETE PIPE SHALL CONFORM TO AASHTO M-170.
2. ADDITIONAL REINFORCEMENT SHALL CONFORM TO AASHTO M-31 OR M-53.
3. DEGREE OF ELBOW & PIPE SIZE REQUIRED SHALL BE AS INDICATED ON DETAIL PLAN FOR EACH INDIVIDUAL INSTALLATION.
4. CEMENT MORTAR WITH BONDING AGENT SHALL BE APPROVED BY THE CITY ENGINEER.

STANDARD #3072

CITY OF DECATUR, ILLINOIS  
DEPARTMENT OF ENGINEERING  
& INFRASTRUCTURE

ADOPTED JANUARY 1, 2003

DIRECTOR OF ENGINEERING & INFRASTRUCTURE

ISSUED: 7-3-78	
REVISIONS	
BY	DATE
JMM	11/5/02