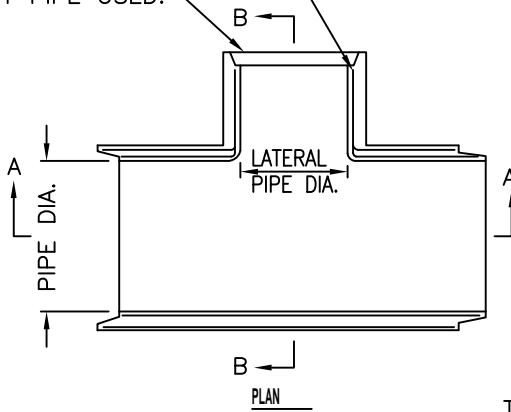


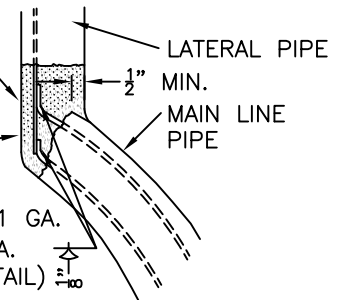
STANDARD DESIGN REINFORCED CONCRETE PIPE TEE

SEE LATERAL PIPE REINFORCEMENT NOTES
END CONNECTION TO FIT PIPE USED.



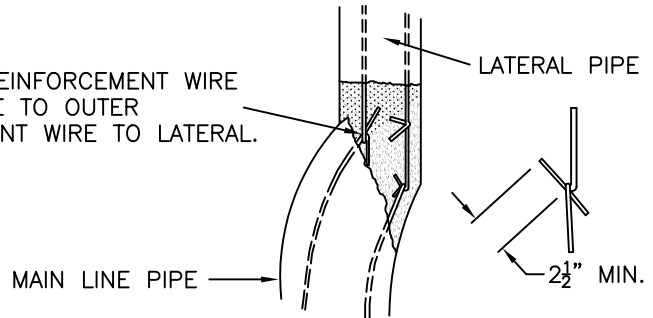
WELD OUTER REINFORCEMENT WIRE OF MAIN LINE TO OUTER REINFORCEMENT WIRE TO LATERAL.

CEMENT MORTAR WITH BONDING AGENT.
WELD $\frac{3}{4}$ " MIN. FOR WIRE 0000 THRU 1 GA.
WELD $\frac{7}{8}$ " MIN. FOR WIRE 2 THRU 7 GA.
(OTHER WIRE SHALL BE TIED PER DETAIL)

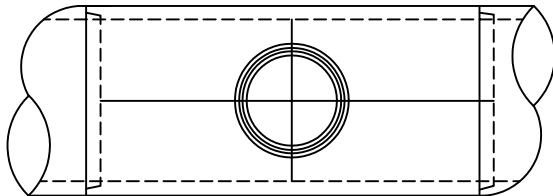


**WELDED LAP DETAIL
FOR LATERAL PIPE 36" AND LARGER**

TIE OUTER REINFORCEMENT WIRE OF MAIN LINE TO OUTER REINFORCEMENT WIRE TO LATERAL.



**TIED LAP DETAIL
FOR LATERAL PIPE LESS THAN 36"**



SECTION A-A

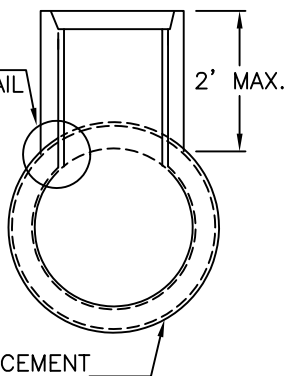
LATERAL REINFORCEMENT NOTES

1. REINFORCEMENT FOR LATERAL PIPE LESS THAN 36".
 - A. INNER CAGE - CIRCUMFERENTIAL REINFORCEMENT = 0.10 SQ IN/FT (MIN.)
 - B. LONGITUDINAL REINFORCEMENT IS THE SAME AS FOR 34" AND LARGER RISERS.
2. REINFORCEMENT FOR LATERAL PIPE 36" AND LARGER
 - A. INNER CAGE - CIRCUMFERENTIAL REINFORCEMENT = 0.17 SQ. IN/FT (MIN.) SPACED AT 6" CENTERS MAX., OR EQUIVALENT.
 - B. OUTER CAGE - STANDARD REINFORCEMENT 7 GA. SPACED AT 6" CENTERS FOR CLASS III PIPE.

NOTES:

1. REINFORCEMENT CONCRETE PIPE TEE "BARREL" SHALL CONFORM TO AASHTO M-170 AND SHALL BE THE SAME CLASS OF PIPE AS THE ADJOINING PIPES.
2. THE PIPE LATERAL SHALL CONFORM TO AASHTO M-170 EXCEPT FOR THE REINFORCEMENT AS NOTED BELOW.
3. PIPE SIZE REQUIRED SHALL BE AS INDICATED ON THE DETAIL PLAN FOR EACH INSTALLATION.
4. CEMENT MORTAR WITH BONDING AGENT SHALL BE APPROVED BY THE ENGINEER.
5. ANY ADJUSTMENTS OR CUTTING OF THE PIPE TEE SHALL BE CONSIDERED INCIDENTAL TO THE COST OF THE REINFORCED CONCRETE PIPE TEE.

SEE WELDED LAP AND TIED LAP DETAIL



STANDARD REINFORCEMENT FOR PIPE DIAMETER

SECTION B-B

CITY OF DECATUR, ILLINOIS
DEPARTMENT OF ENGINEERING
& INFRASTRUCTURE

ADOPTED JANUARY 1, 2003

DIRECTOR OF ENGINEERING & INFRASTRUCTURE

ISSUED: 1/1/2003	
REVISIONS	
BY	DATE
KSG	10/2002

STANDARD #3071