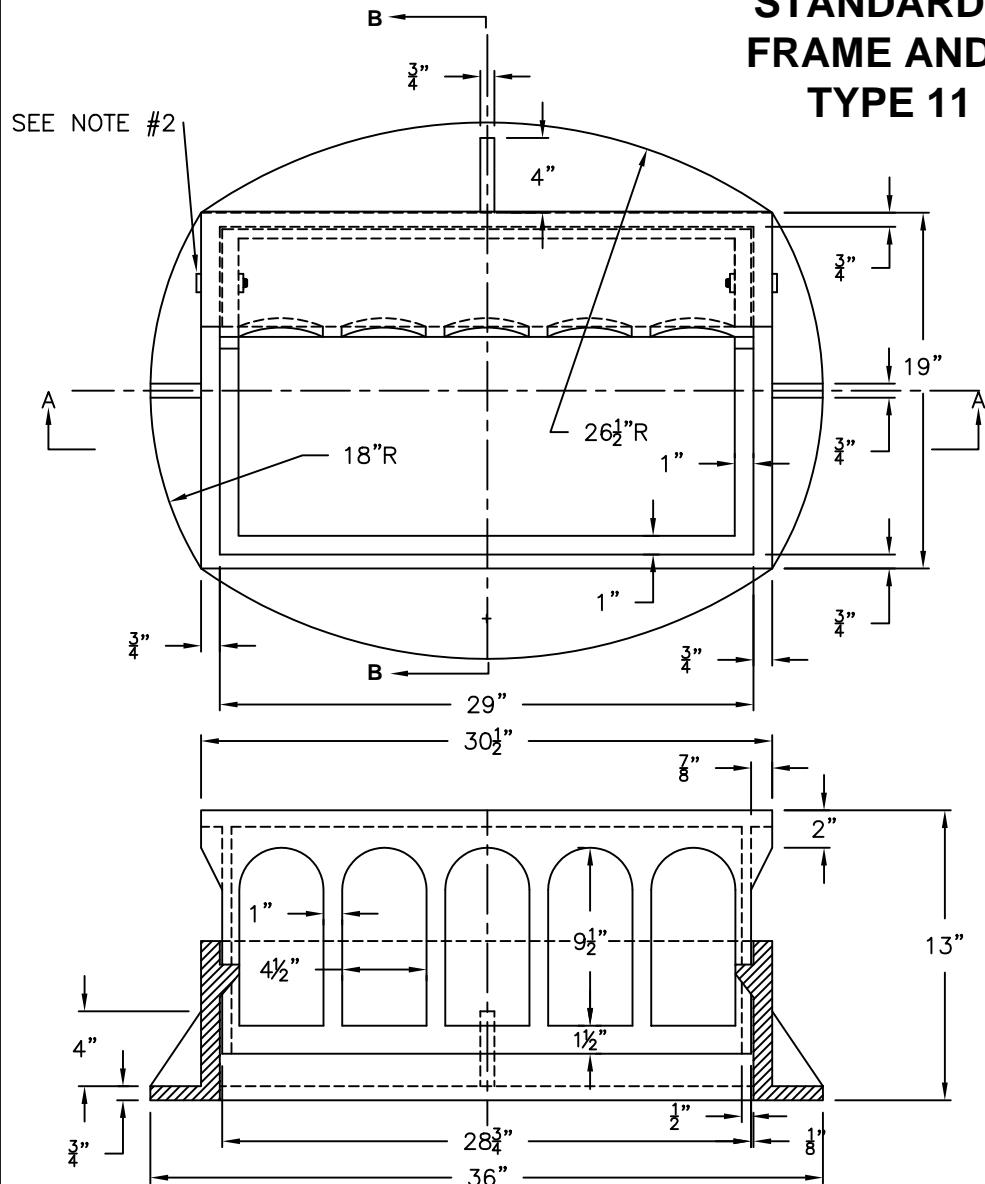
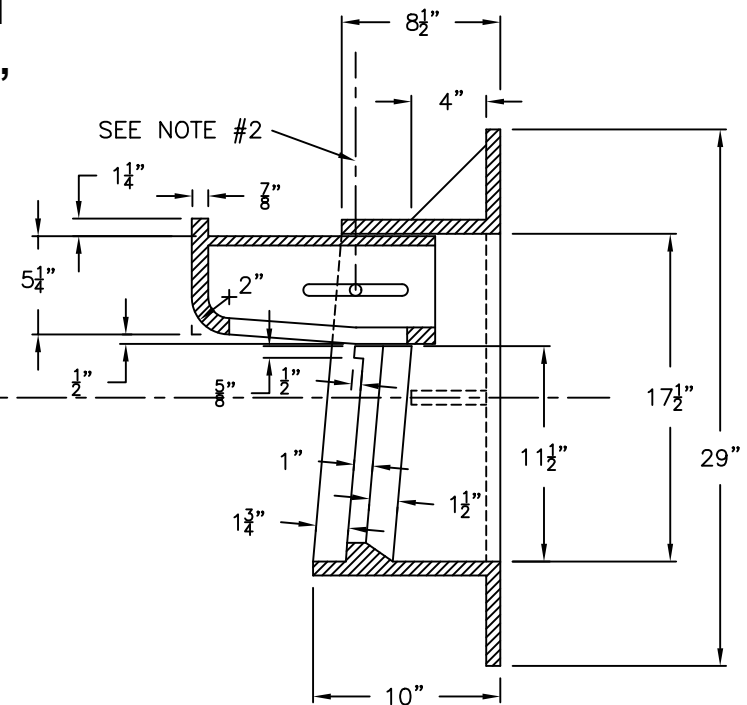


# STANDARD DESIGN FRAME AND GRATE, TYPE 11 & 11V



**SECTION A-A**



**SECTION B-B**

**NOTES:**

1. CURB BOX ADJUSTABLE FROM 4 1/2" TO 9".
2. CENTER LINE OF 5/8" DIA. HOLE AND 5/8" x 5/2" SLOTTED HOLE FOR GALVANIZED 1/2" BOLT, NUT AND WASHER.
3. GRATE TYPE 11V SHALL NOT BE INSTALLED IN A SAG.
4. THE CURB BOX SHALL BE STAMPED WITH "DUMP NO WASTE DRAINS TO RIVER" OR "DUMP NO WASTE DRAINS TO WATERWAYS" OR AS DIRECTED BY THE CITY ENGINEER.

CITY OF DECATUR, ILLINOIS  
DEPARTMENT OF ENGINEERING  
INFRASTRUCTURE

ADOPTED JANUARY 1, 2003

DIRECTOR OF ENGINEERING & INFRASTRUCTURE

ISSUED: 7-3-78

REVISIONS	
BY	DATE
F.W.T.	12/15/81
SHOE	9/15/89
JMM	5/01/02

STANDARD# 3051  
SHEET #1 OF 2