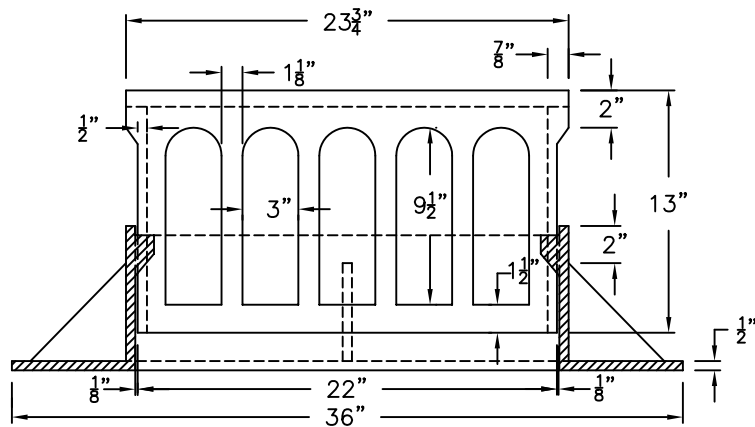
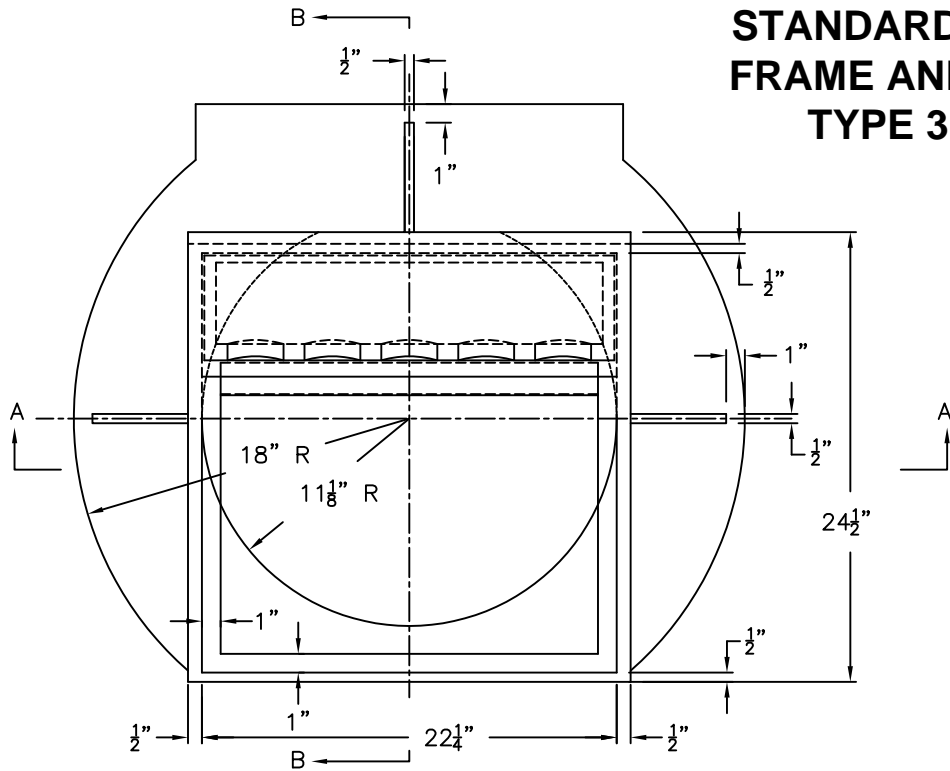
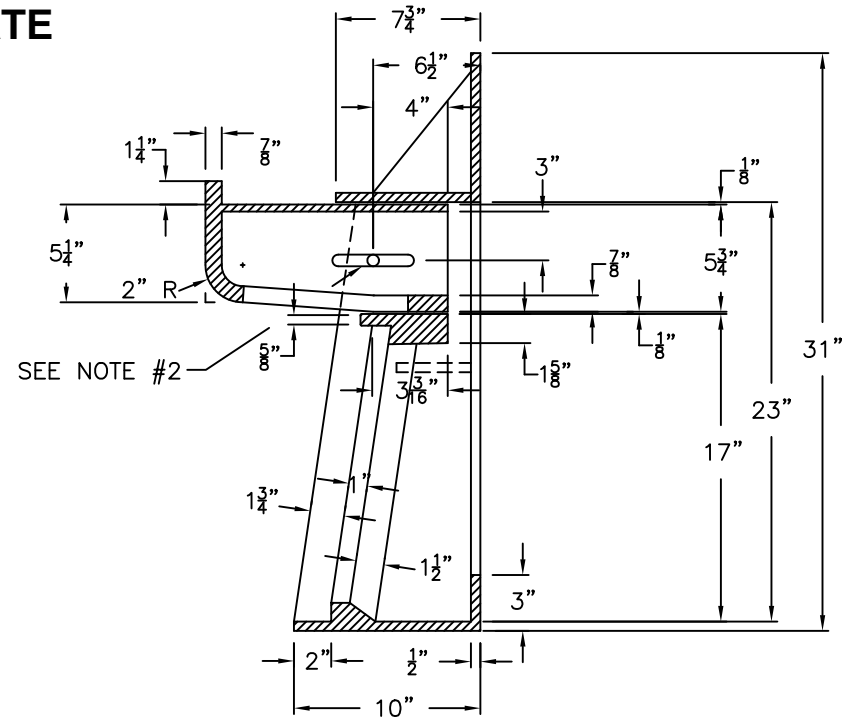


STANDARD DESIGN FRAME AND GRATE TYPE 3 & 3V



SECTION A-A



SECTION B-B

NOTES:

1. CURB BOX ADJUSTABLE FROM 5 1/4" TO 9".
2. CENTER LINE OF 5/8" DIA. HOLE AND 5/8" x 4 3/4" SLOTTED HOLE FOR GALVANIZED 1/2" BOLT, NUT AND WASHER.
3. TYPE GRATE 3V SHALL NOT BE INSTALLED IN A SAG.
4. THE CURB BOX SHALL BE STAMPED WITH "DUMP NO WASTE DRAINS TO RIVER" OR "DUMP NO WASTE DRAINS TO WATERWAY."

CITY OF DECATUR, ILLINOIS
DEPARTMENT OF ENGINEERING
& INFRASTRUCTURE

ADOPTED JANUARY 1, 2003

DIRECTOR OF ENGINEERING & INFRASTRUCTURE

ISSUED: 7-3-78

REVISIONS	
BY	DATE
F.W.T.	12/15/81
SHOE	9/15/89
JMM	5/01/02

STANDARD #3034
SHEET #1 OF 2