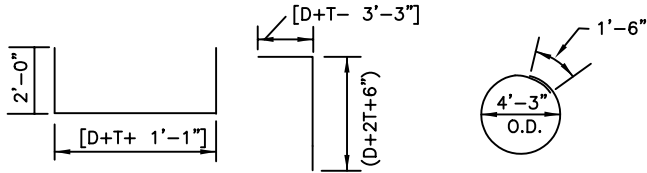
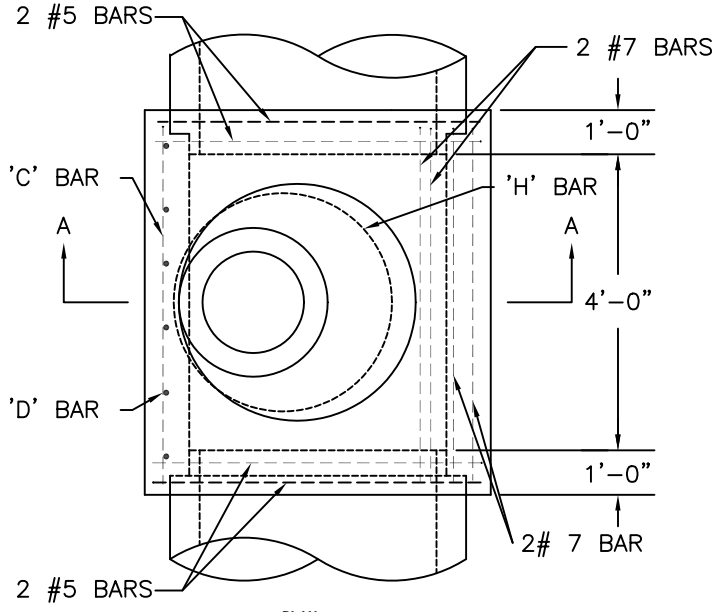


# STANDARD DESIGN CAST-IN-PLACE TYPE A MANHOLE, FOR SEWERS LARGER THAN 42" DIAMETER

TABLE OF DIMENSIONS

D	T	D+T	W	D+2T	H	Y	X
48"	5"	4'-5"	6'-5"	4'-10"	7'-0"	1'-7"	0'-11"
54"	5.5"	4'-11.5"	6'-11.5"	5'-5"	7'-7"	1'-7.5"	1'-5.5"
60"	6"	5'-6"	7'-6"	6'-0"	8'-2"	1'-8"	2'-0"
66"	6.5"	6'-0.5"	8'-0.5"	6'-7"	8'-9"	1'-8.5"	2'-6.5"
72"	7"	6'-7"	8'-7"	7'-2"	9'-4"	1'-9"	3'-1"
78"	7.5"	7'-1.5"	9'-1.5"	7'-9"	9'-11"	1'-9.5"	3'-7.5"
84"	8"	7'-8"	9'-8"	8'-4"	10'-6"	1'-10"	4'-2"
90"	8.5"	8'-2.5"	10'-2.5"	8'-11"	11'-1"	1'-10.5"	4'-8.5"
96"	9"	8'-9"	10'-9"	9'-6"	11'-8"	1'-11"	5'-3"

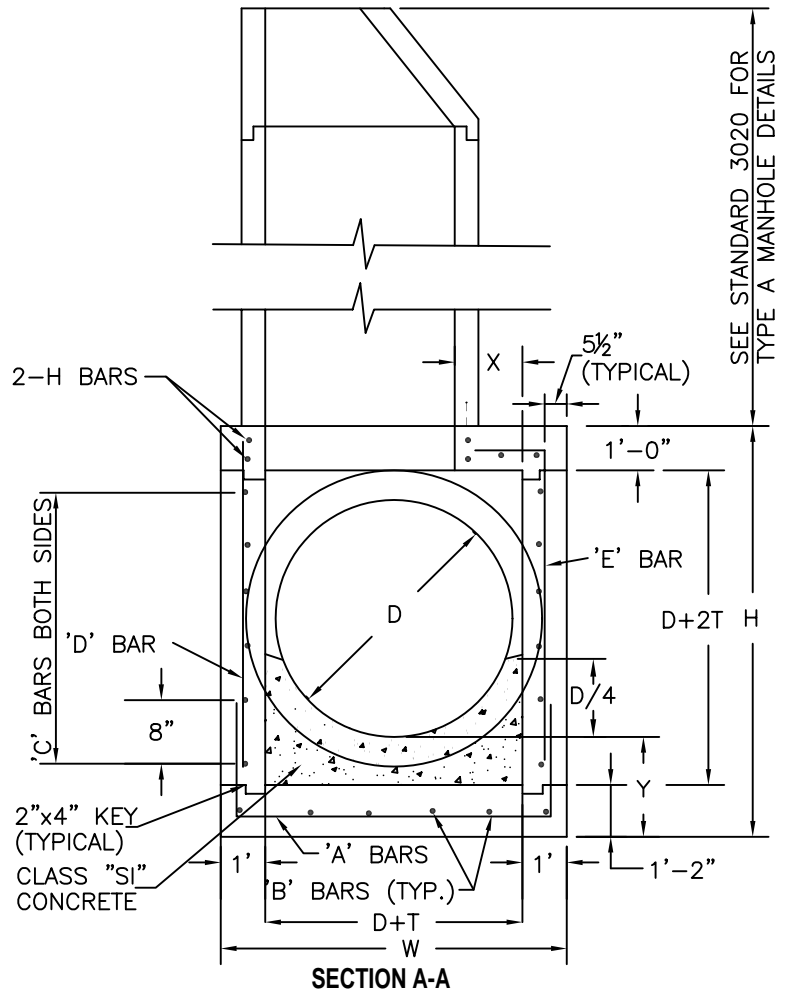


**BAR 'A'**                      **BAR 'E'**                      **BAR 'H'**

TABLE OF REINFORCED STEEL FOR SEWERS EQUAL TO OR GREATER THAN 20' DEEP						
DIAM	BAR 'A'	BAR 'B'	BAR 'C'	BAR 'D'	BAR 'E'	BAR 'F'
48"						
54"	#7@9"	#7@12"		#7@12"	#7@12"	#7@9"
60"						
66"						
72"		#7@10"	#7@8"			#7@10"
78"						
84"	#7@12"			#7@9"	#7@9"	
90"		#7@9"				#7@11"
96"						

**REINFORCED STEEL NOTES:**

- FOR SEWERS GREATER THAN 20' DEEP, USE "TABLE OF REINFORCING STEEL" ABOVE.
- FOR SEWERS LESS THAN 20' DEEP, ALL BARS SHALL BE #5@12" CENTERS AND/OR AS SHOWN.
- CLASS "SI" CONCRETE SHALL BE USED.



**SECTION A-A**

CITY OF DECATUR, ILLINOIS  
DEPARTMENT OF ENGINEERING  
INFRASTRUCTURE

ADOPTED JANUARY 1, 2003

DIRECTOR OF ENGINEERING & INFRASTRUCTURE

ISSUED: 7-3-78	
REVISIONS	
BY	DATE
K.G.Q.	4/7/00
J.M.M.	5/1/02

K:\CVC\Engineer\eng-data\AUTOCAD\STANDARD\Standards 2003\Std3021 Sheet 1 of 2.dwg Wed, 30 Apr 2003 10:41 am