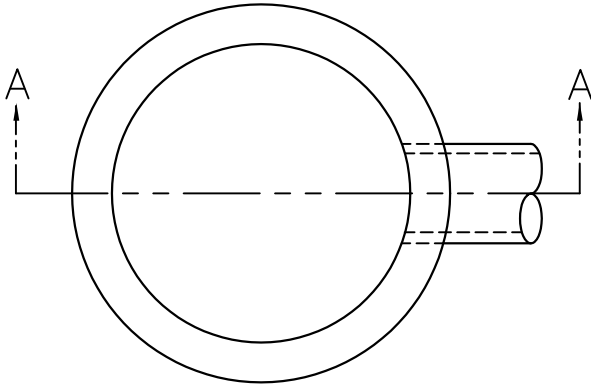
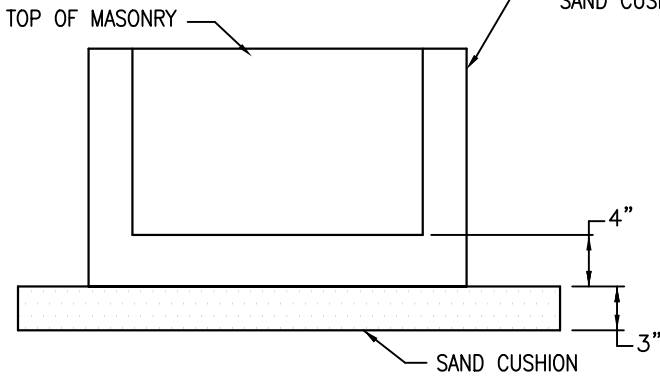
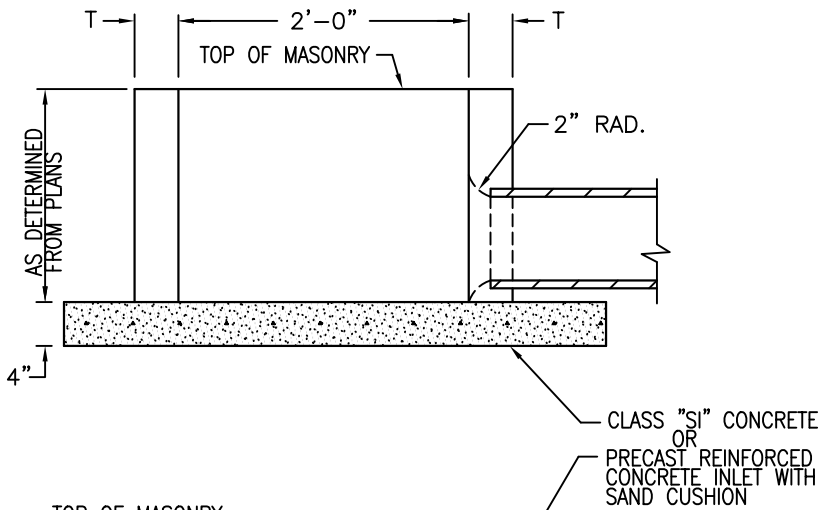


STANDARD DESIGN

INLET TYPE A



PLAN



SECTION A-A

ALTERNATE MATERIALS FOR WALLS	T
PRECAST REINFORCED CONCRETE SECTION	3"
MONOLITHIC CONCRETE	6"

NOTES:

1. WHEN USING A PRECAST REINFORCED CONCRETE INLET, THE CONTRACT UNIT PRICE SHALL INCLUDE FURNISHING AND PLACING SAND CUSHION.
2. THE CONTRACT UNIT PRICE SHALL INCLUDE THE FRAME AND LID OR GRATE SPECIFIED ON PLANS.
3. ALL CONCRETE JOINTS IN THE STRUCTURE SHALL BE SEALED USING PERMAGUM ROPE MASTIC OR APPROVED EQUAL. ADJUSTING RINGS AND THE CASTING SHALL BE SEALED USING 2 LOOPS OF 3/4" PERMAGUM ROPE MASTIC.

CITY OF DECATUR, ILLINOIS
DEPARTMENT OF ENGINEERING
& INFRASTRUCTURE

ADOPTED JANUARY 1, 2003

DIRECTOR OF ENGINEERING & INFRASTRUCTURE

ISSUED:	
REVISIONS BY	DATE
KSG	10/2002

STANDARD #3000