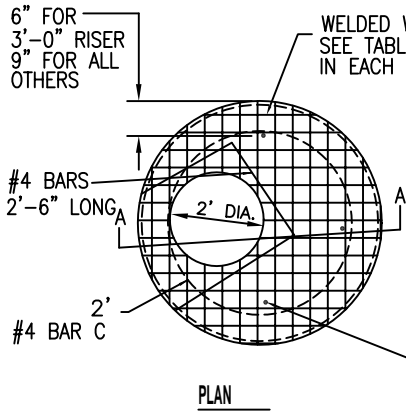
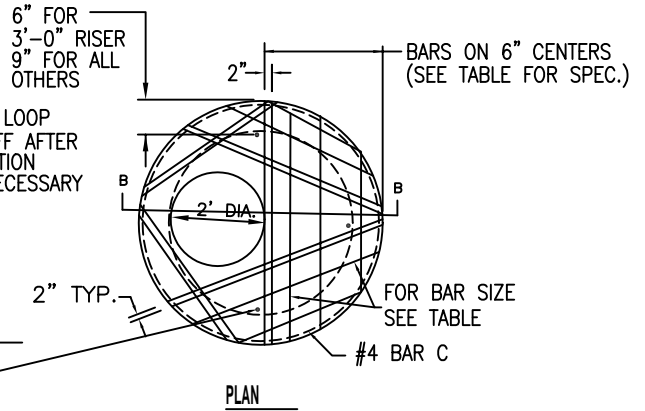


STANDARD DESIGN PRECAST REINFORCED CONCRETE FLAT SLAB TOP FOR MANHOLES AND CATCH BASINS

TYPICAL LIFTING DEVICE LOCATION



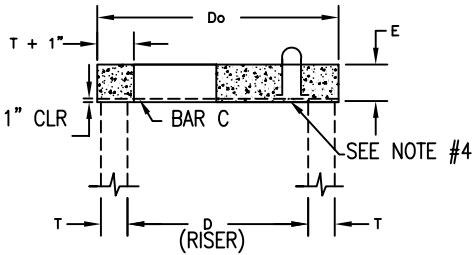
TYPICAL LIFTING DEVICE LOCATION



TYPICAL LIFTING DEVICE

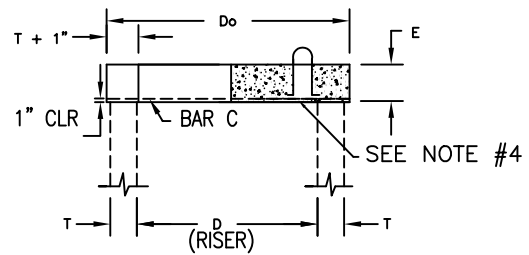
TYPICAL
3 REQUIRED
PER SLAB

WELDED WIRE
FABRIC
REINFORCEMENT

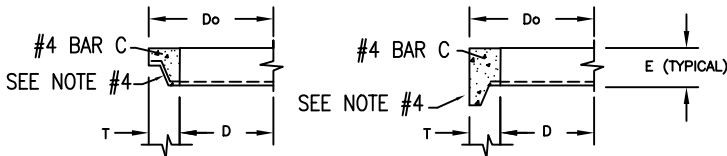


SECTION A-A

RE-BAR
REINFORCEMENT



SECTION B-B



ALTERNATE JOINT CONFIGURATIONS TABLE

		SANITARY		STORM		REINFORCEMENT		#4 BAR C			
D	T	Do (MIN.)	E	T	Do (MIN.)	E	"As" WWF EACH DIRECTION	or	BAR SIZE	LENGTH	RADIUS
3'	SEE STRD 2000	D+2T	6"	SEE STANDARDS 3010, 3012, 3020 & 3021	D+2T	6"	.20 SQ. IN./LIN. FT.		#4	4'	1'-7"
3'-6"		D+2T	6"		D+2T	6"	.35 SQ. IN./LIN. FT.		#5	4'-3"	1'-10"
4'		D+2T	6"		D+2T	6"	.35 SQ. IN./LIN. FT.		#5	4'-6"	2'-2"
5'		D+2T	8"		D+2T	8"	.35 SQ. IN./LIN. FT.		#5	5'	2'-8"

NOTES:

1. THE FLAT SLAB TOP MAY BE USED IN LIEU OF THE TAPERED TOPS SHOWN IN STANDARDS #3010, #3012, #3020, OR #3021 AT THE OPTION OF THE CONTRACTOR OR WHEN FIELD CONDITIONS PROHIBIT THE USE OF TAPERED TOPS.
2. JOINT CONFIGURATION AND DIMENSIONS SHALL MATCH AND FIT THE RISER JOINT DETAIL.
3. LIFTING DEVICES OTHER THAN SHOWN MAY BE USED UPON APPROVAL BY THE ENGINEER.
4. ALL MASONRY JOINTS IN THE STRUCTURE SHALL BE SEALED USING PERMAGUM ROPE MASTIC OR APPROVED EQUAL. ADJUSTING RINGS AND THE CASTING SHALL BE SEALED USING 2 LOOPS OF 3/4" PERMAGUM ROPE MASTIC.

CITY OF DECATUR, ILLINOIS
DEPARTMENT OF ENGINEERING
& INFRASTRUCTURE

ADOPTED JANUARY 1, 2003

DIRECTOR OF ENGINEERING & INFRASTRUCTURE

ISSUED:
REVISIONS
BY DATE

JMM 0/5/02
KSG 10/2002

STANDARD# 2100