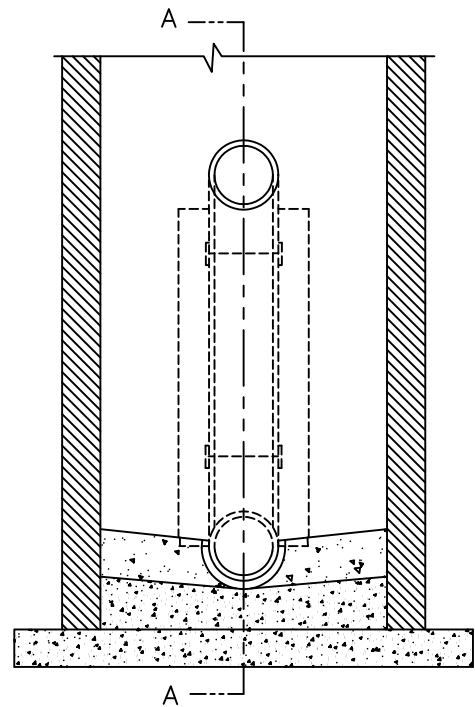
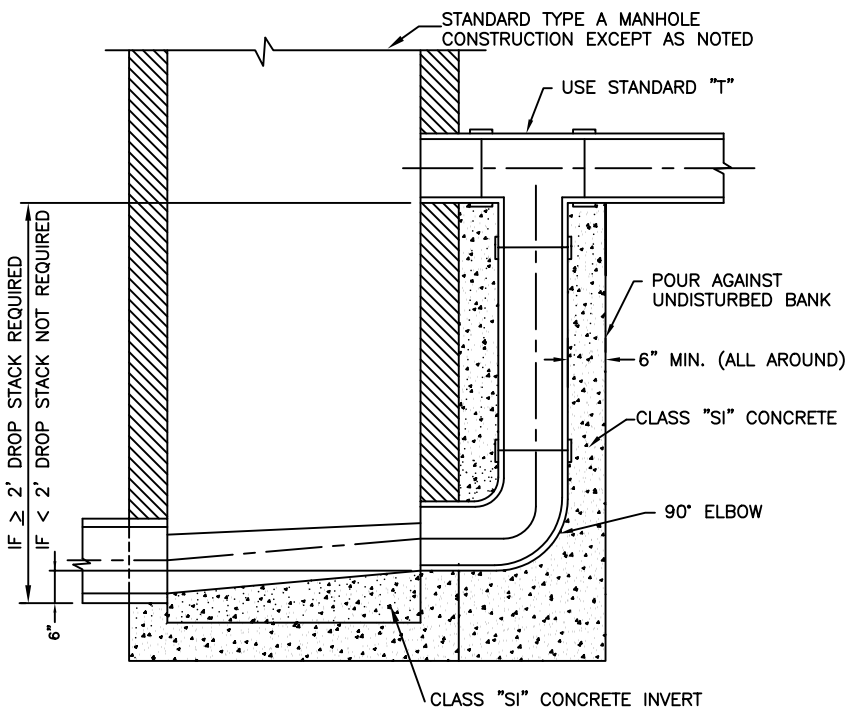
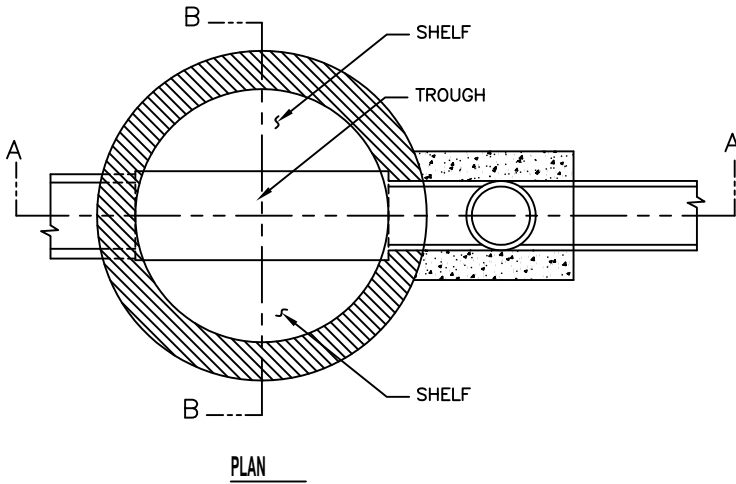


STANDARD DESIGN DROP STACK



NOTES:

1. ENTIRE EXCAVATION TO BE BACKFILLED WITH TRENCH BACKFILL MATERIAL, IN ACCORDANCE WITH STANDARD #2050, IF ANY EDGE OF EXCAVATION IS WITHIN 2' OF ANY PAVED SURFACE.
2. BACKFILL AROUND PIPE SHALL BE IN ACCORDANCE WITH STANDARD #2050.
3. POURED CONCRETE AROUND DROP STACK PIPE WILL NOT BE REQUIRED IF DROP STACK IS PRECAST WITH MANHOLE.
4. TO BE USED IN CONJUNCTION WITH TYPE "A" MANHOLES WHERE SEWER ENTERS 2'-0" OR MORE ABOVE LOWEST INVERT. NOT TO BE USED FOR INLET OR CATCH BASIN CONNECTIONS.
5. THIS DETAIL APPLIES TO INCOMING SEWER OF 18" DIAMETER OR LESS.
6. FOR INCOMING SEWER SMALLER THAN 12" USE VERTICAL PIPE OF SAME DIAMETER. FOR INCOMING SEWER 12" OR GREATER, USE 12" VERTICAL PIPE.

CITY OF DECATUR, ILLINOIS
DEPARTMENT OF ENGINEERING
& INFRASTRUCTURE

ADOPTED JANUARY 1, 2003

DIRECTOR OF ENGINEERING & INFRASTRUCTURE

ISSUED:

REVISIONS	
BY	DATE
K.G.Q.	4/4/00
JMM	5/4/02
KSG	10/2002

STANDARD# 2030