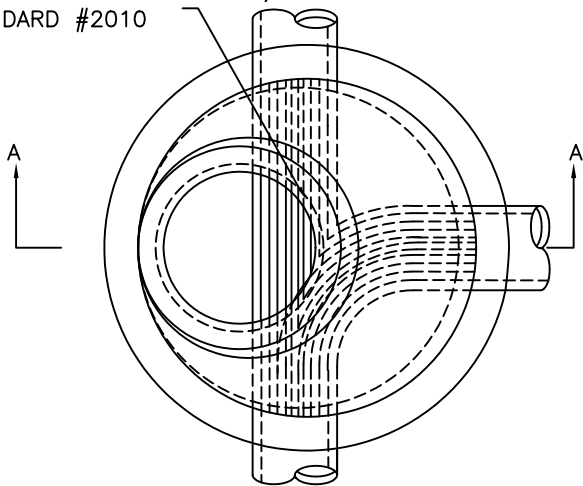


STANDARD DESIGN MANHOLE TYPE A

FOR INVERTS POURED IN PLACE,
SEE STANDARD #2010



PLAN

SANITARY SEWER NOTES:

1. FOR VERTICAL SEPARATIONS GREATER THAN 2' USE DROP STACK, STANDARD 2030.

STORM SEWER NOTES:

1. HALF TRAP REQUIRED IF OUTLET IS TO A COMBINATION SEWER SYSTEM.

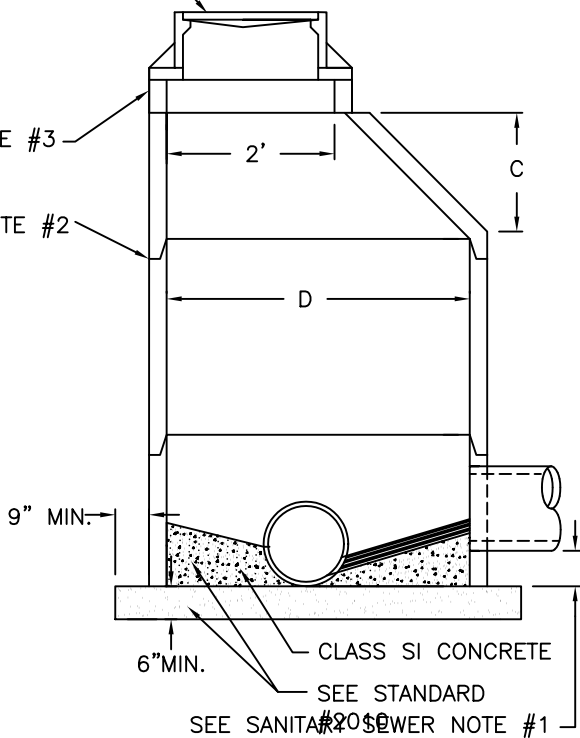
GENERAL NOTES:

1. PRECAST MANHOLE SECTIONS ARE REQUIRED. POURED IN PLACE MANHOLES MUST BE APPROVED IN WRITING BY THE CITY ENGINEER.
2. ALL MASONRY JOINTS IN THE STRUCTURE SHALL BE SEALED USING PERMAGUM ROPE MASTIC OR APPROVED EQUAL. ADJUSTING RINGS AND THE CASTING SHALL BE SEALED USING 2 LOOPS OF 3/4" PERMAGUM ROPE MASTIC.
3. FINAL UPWARD ADJUSTMENT TO GRADE SHALL BE MADE USING PRECAST CONCRETE ADJUSTING RINGS. IF THE REQUIRED ADJUSTMENT IS 16" OR GREATER, ADDITIONAL MANHOLE SECTIONS SHALL BE INSTALLED BELOW THE CONE. DOWNWARD ADJUSTMENT SHALL BE ACCOMPLISHED BY REMOVING EXISTING MASONRY UNITS AND ADJUSTING TO FINAL GRADE AS OUTLINED ABOVE.
4. ENTIRE EXCAVATION TO BE BACKFILLED WITH TRENCH BACKFILL MATERIAL AS SPECIFIED IN STANDARD #2050. BACKFILL AROUND PIPE SHALL BE IN ACCORDANCE WITH STANDARD #2050.
5. FOR PIPES LESS THAN 18", 4' DIAMETER MANHOLE SHALL BE USED. FOR PIPES 24"-42", 5' DIAMETER MANHOLE SHALL BE USED.

SEE STANDARD #2020

SEE NOTE #3

SEE NOTE #2



SECTION A - A

| ALTERNATE MATERIALS FOR WALLS | D | C* | T (MIN.) |
|------------------------------------|-------|-------|----------|
| PRECAST REINFORCED CONCRETE RISERS | 4'-0" | 2'-6" | 4" |
| | 5'-0" | 3'-9" | 5" |
| MONOLITHIC CONCRETE | 4'-0" | 2'-6" | 6" |
| | 5'-0" | 3'-9" | 6" |

CITY OF DECATUR, ILLINOIS
DEPARTMENT OF ENGINEERING
& INFRASTRUCTURE

ADOPTED JANUARY 1, 2003

DIRECTOR OF ENGINEERING & INFRASTRUCTURE

ISSUED: 7-3-01

REVISIONS
BY DATE

K.G.Q. 4/6/00

J.M.M. 5/1/02

*WHEN USING PRECAST REINFORCED CONCRETE RISERS, DIMENSION "C" MAY VARY FROM THAT GIVEN TO PLUS 6 INCHES.

STANDARD #2000