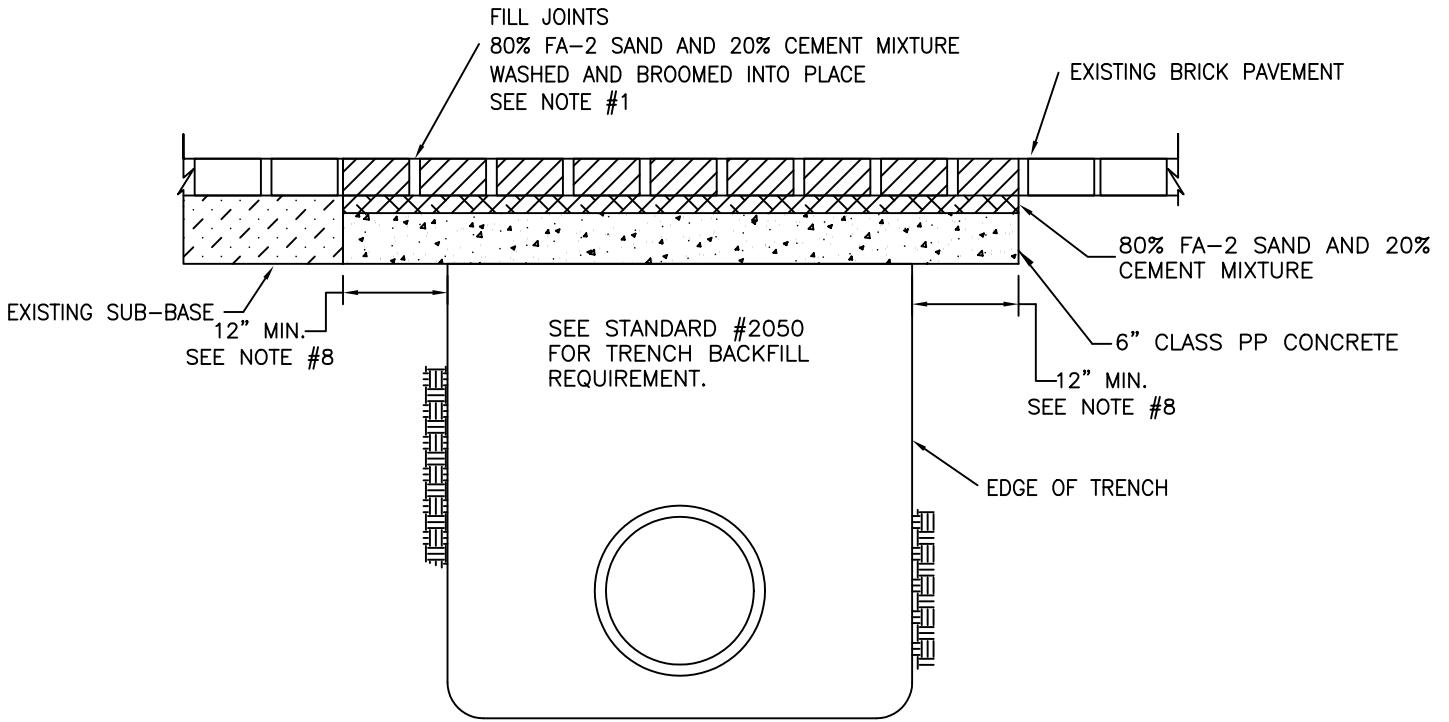
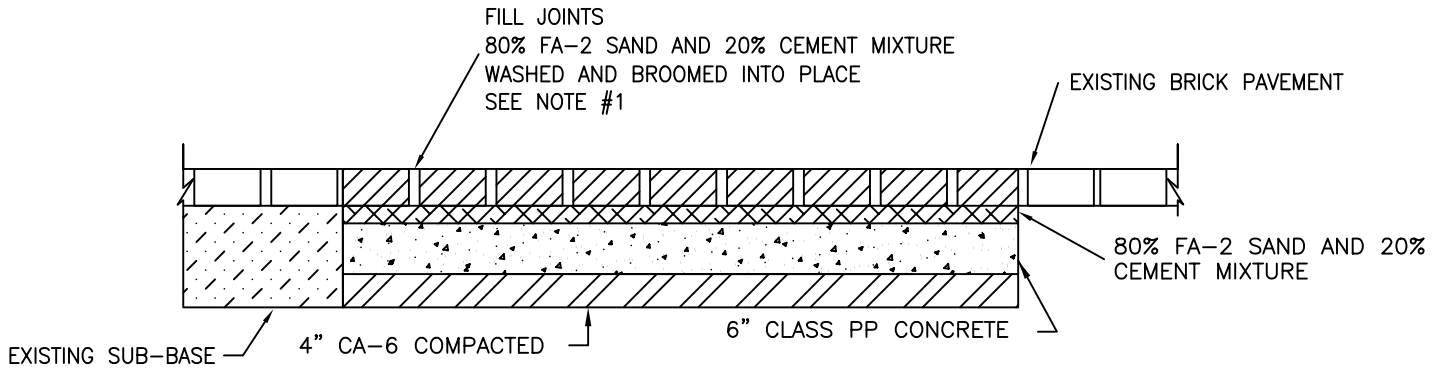


STANDARD DESIGN PAVEMENT REPLACEMENT BRICK STREET



STREET UTILITY CUT REPAIR



SETTLED OR HEAVED BRICK PAVEMENT REPAIR

CITY OF DECATUR, ILLINOIS
DEPARTMENT OF ENGINEERING
& INFRASTRUCTURE
ENGINEERING DIVISION

ADOPTED JANUARY 1, 2003

DIRECTOR OF ENGINEERING & INFRASTRUCTURE

ISSUED:

REVISIONS

BY	DATE
F.W.T.	12/10/81
R.W.D.	12/17/97
K.G.Q.	3/31/00
KSG	10/2002

STANDARD #1070
SHEET #1 OF 2