

STANDARD DESIGN FOR CLASS B PAVEMENT PATCHING

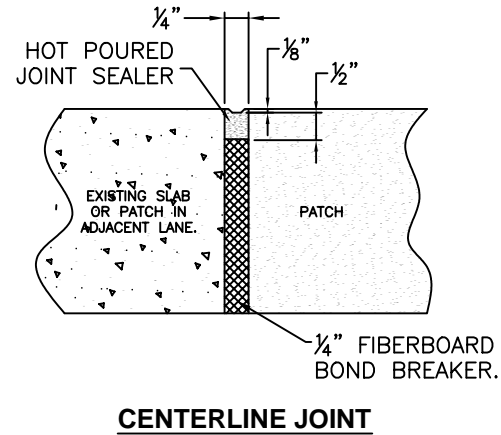
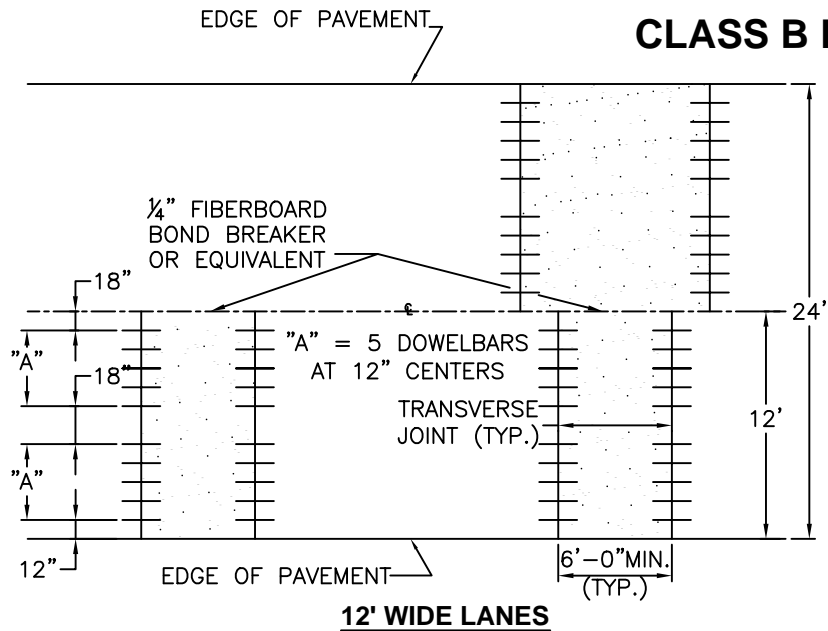
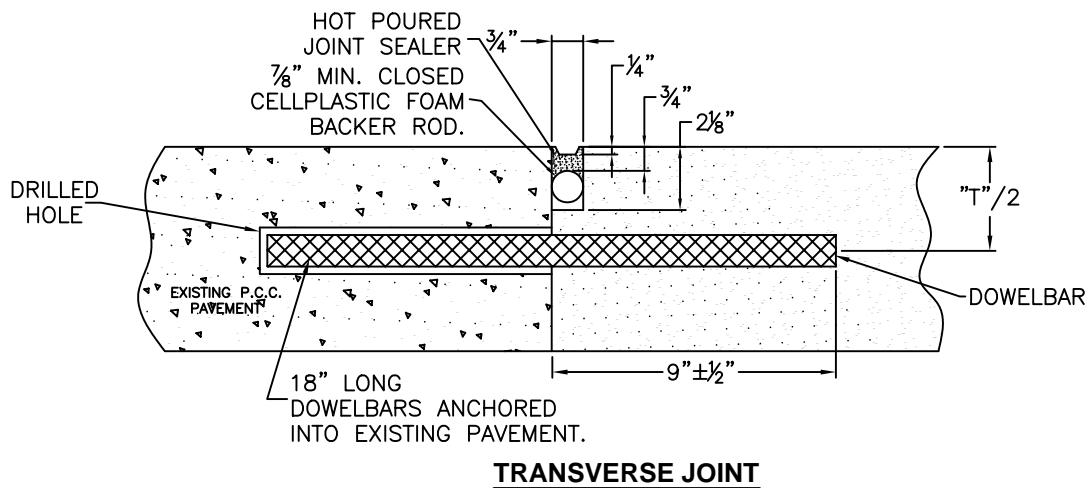


TABLE OF BARS

PAVEMENT THICKNESS	DOWEL BAR DIAMETER	HOLE DIAMETER
8" OR <	1 1/2"	1 5/8"
7" THRU 7.99"	1 1/4"	1 3/8"
6" < THRU 6.99"	1"	1 1/8"
≤ 6"	N/A	N/A



NOTES:

- PATCHES 20' OR LONGER SHALL HAVE SAWED CONTRACTION JOINTS AT 15' MAXIMUM INTERVALS.
- ALL CLASS B PATCHES SHALL BE IN PROLONGATION WITH JOINTS OR CRACKS IN THE ADJACENT LANE WHENEVER POSSIBLE.
- REINFORCING BARS ARE NOT REQUIRED ON PAVEMENT WITH 6" DEPTH OR LESS.

CITY OF DECATUR, ILLINOIS
DEPARTMENT OF ENGINEERING
& INFRASTRUCTURE

ADOPTED JANUARY 1, 2003

DIRECTOR OF ENGINEERING & INFRASTRUCTURE

ISSUED: 1/1/03

REVISIONS
BY DATE

KSG 10/2002

STANDARD #1060