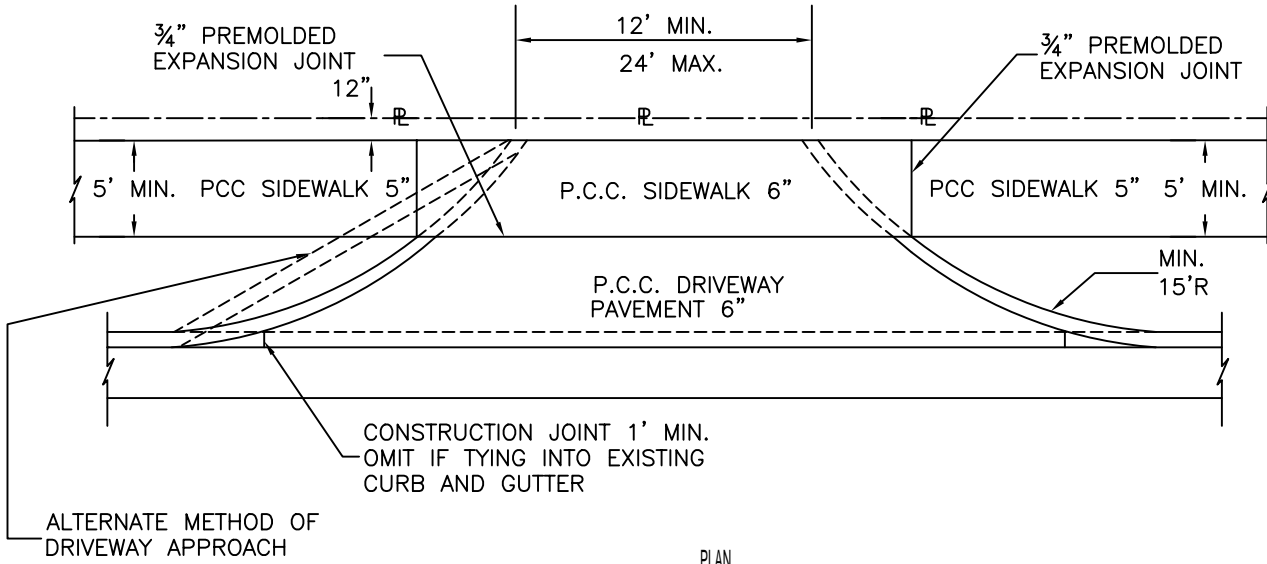
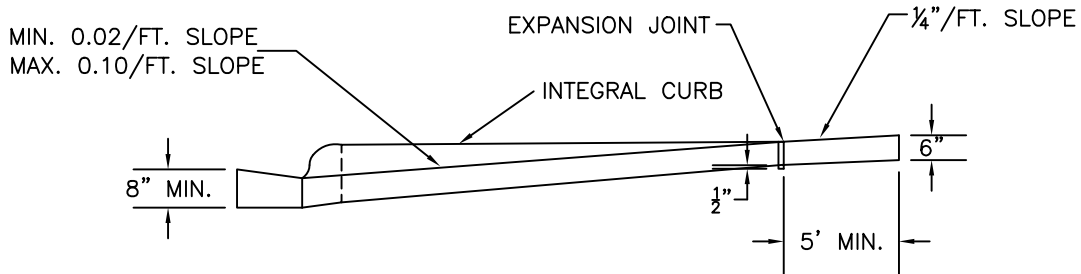


# STANDARD DESIGN DRIVEWAY APPROACH



PLAN



TYPICAL SECTION

**NOTES:**

1. RADIUS CURB IS ONLY PROVIDED ON STREET WITH CURB AND GUTTER.
2. IF SIDEWALK CURRENTLY EXISTS, IT SHALL BE REMOVED AND REPLACED TO THE LIMITS SHOWN WITH 6" THICK SIDEWALK.

CITY OF DECATUR, ILLINOIS  
DEPARTMENT OF ENGINEERING  
& INFRASTRUCTURE  
ENGINEERING DIVISION

ADOPTED JANUARY 1, 2003

  
DIRECTOR OF ENGINEERING & INFRASTRUCTURE

ISSUED: 7-3-01

REVISIONS

BY	DATE
F.W.T.	12/16/78
K.G.Q.	4/4/00
JMM	5/1/02

F.W.T. 12/16/78

K.G.Q. 4/4/00

JMM 5/1/02

STANDARD# 1022